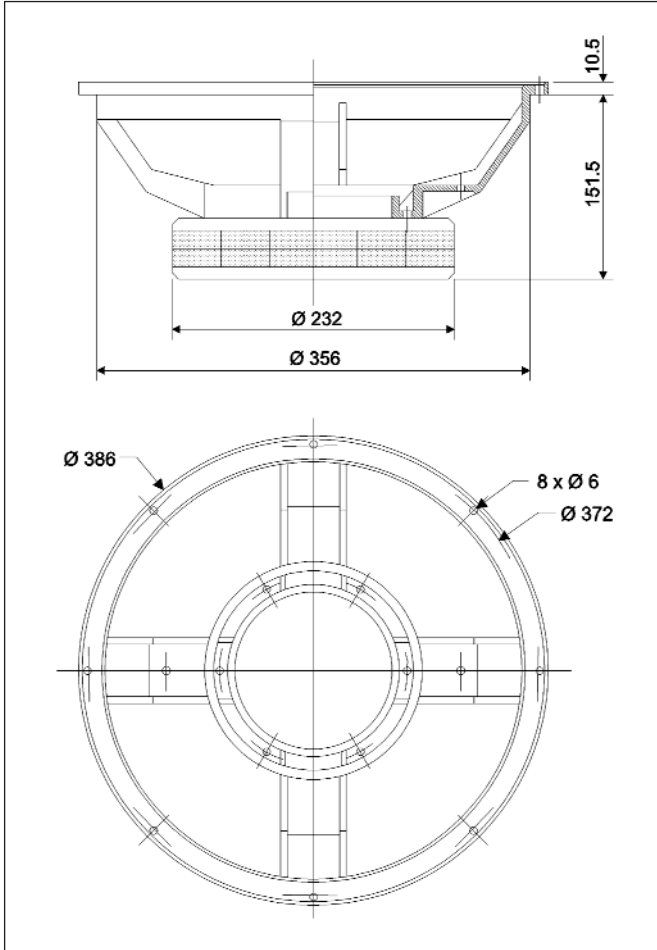


AUDIOM SERIES

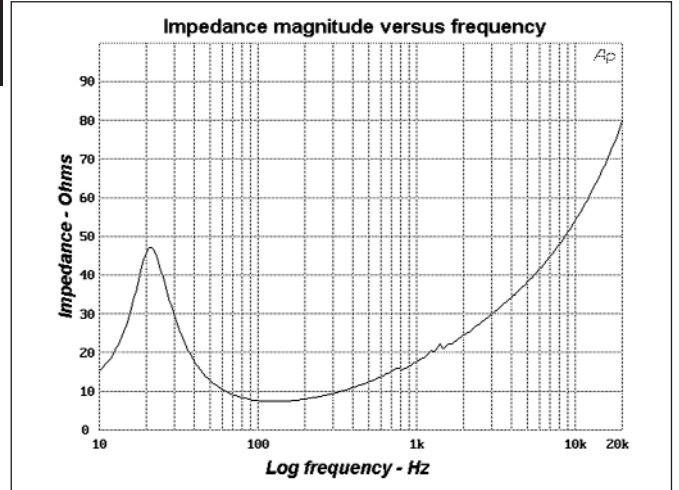
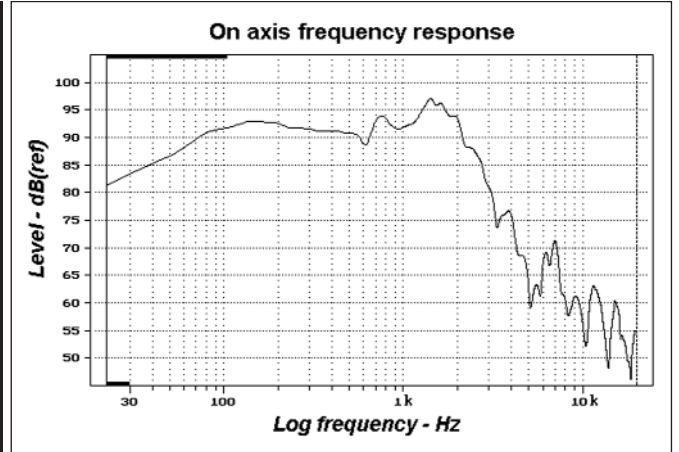
- Thick aluminium sand cast frame
- Straight profile Polyglass cone, foam surround
- Edgewound flat copper wire 77 mm voice coil, black aluminium former
- Efficiency : 93.9 dB
- Where high end fidelity meets pro power



DRAWING



MEASUREMENTS



SPECIFICATIONS

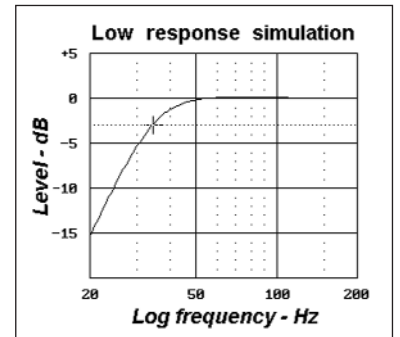
Nominal power handling	225	W
Program power handling	300	W
Sensitivity	93.9	dB (2.8V/1m)
Cone	Polyglass	
Surround	Foam	
Nominal impedance	8	Ω
DC resistance	6.2	Ω
VC diameter	77	mm
VC height	22	mm
Former	Black Aluminium	
Layers	1	
Wire	Copper	
Inductance	1.75	mH
Xmax	6	mm
Magnet diameter x height	235 multi magnets	mm x mm
Magnet weight	233 x 12	g
Flux density	1.02	T
Gap height	10	mm
Net weight	12.3	kg

PARAMETERS

Fs	23.7	Hz
Vas	380.5	l
Qts	0.29	
Qes	0.32	
Qms	2.65	
Re	6.1	Ω
Sd	829.6	cm ²
Cas	271E-8	m ² /N
Mas	16.6	kg/m ⁴
Ras	934.3	Ω .ac
Cms	394E-6	m/N
Mms	114.3	g
Rms	6 430	g/s
Ces	352.4	μ F
Les	127.6	mH
Res	50.4	Ω
Bl	18.0	N/A
SPL	93.8	dB/W/m

SIMULATION

Ql:	7	Ω
Rg:	1.0	
Qts (+Rg):	0.33	



Vb:	160	l
Fb:	29.8	Hz
F-3:	34.3	Hz