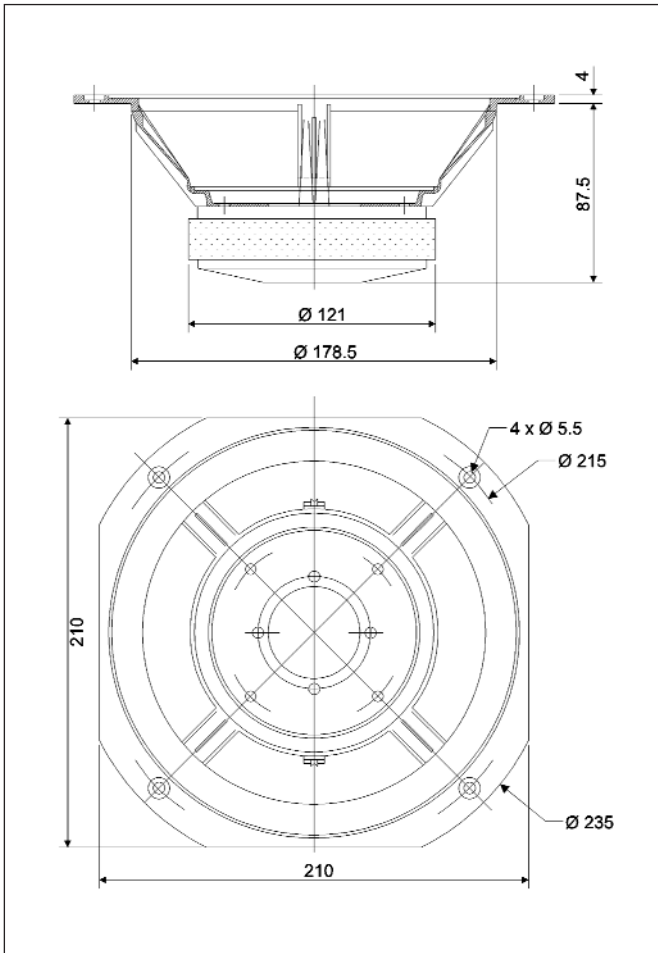


## AUDIOPHILE SERIES

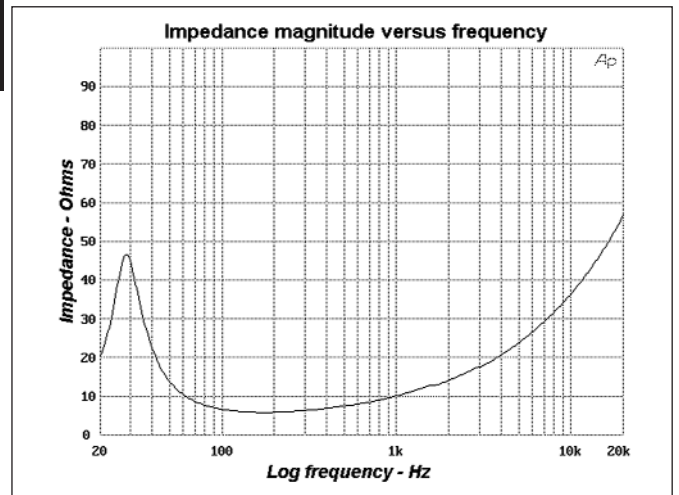
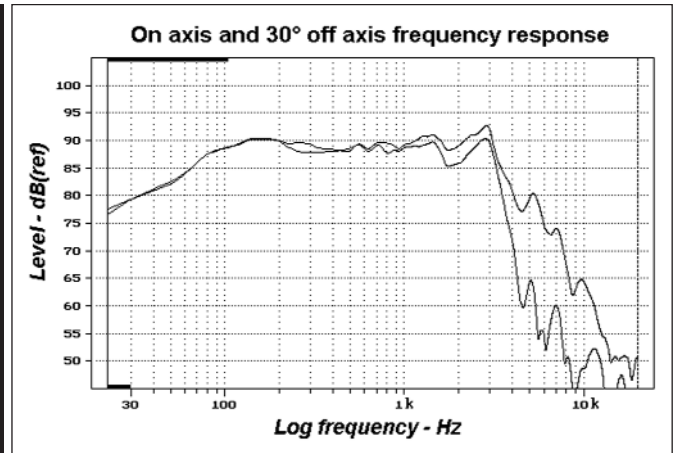
- Thick zamak alloy metal cast frame
- Straight profile PolyKevlar® cone, rubber surround
- Long throw edgewound flat copper wire 40 mm voice coil, Kapton™ former
- Efficiency : 89.2 dB
- High performance for absolute top class vented 3-way systems ( 39 Hz in 40 l )



### DRAWING



### MEASUREMENTS



### SPECIFICATIONS

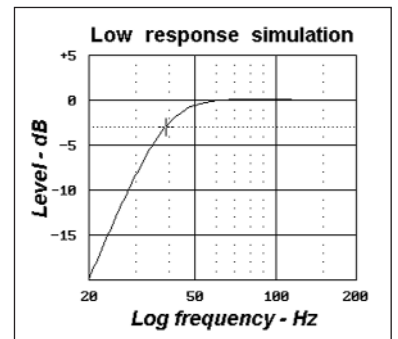
Nominal power handling	125	W
Program power handling	175	W
Sensitivity	90	dB (2.8V/1m)
Cone	Polykevlar®	
Surround	Rubber	
Nominal impedance	8	Ω
DC resistance	5	Ω
VC diameter	40	mm
VC height	22	mm
Former	Kapton™	
Layers	1	
Wire	Copper	
Inductance	1.2	mH
Xmax	8	mm
Magnet diameter x height	121 x 20	mm x mm
Magnet weight	876	g
Flux density	1.29	T
Gap height	6	mm
Net weight	3	kg

### PARAMETERS

Fs	31.0	Hz
Vas	69.1	l
Qts	0.34	
Qes	0.38	
Qms	3.44	
Re	5.1	Ω
Sd	221.7	cm²
Cas	492E-9	m²/N
Mas	3 036.8	kg/m²
Ras	53.7	Ω.ac
Cms	100E-5	m/N
Mms	26.4	g
Rms	1 492	g/s
Ces	384.4	μF
Les	68.7	mH
Res	46.0	Ω
Bl	8.3	N/A
SPL	89.2	dB/W/m

### SIMULATION

Ql:	7	Ω
Rg:	0.3	
Qts (+Rg):	0.36	



Vb:	40	l
Fb:	35.3	Hz
F-3:	38.7	Hz