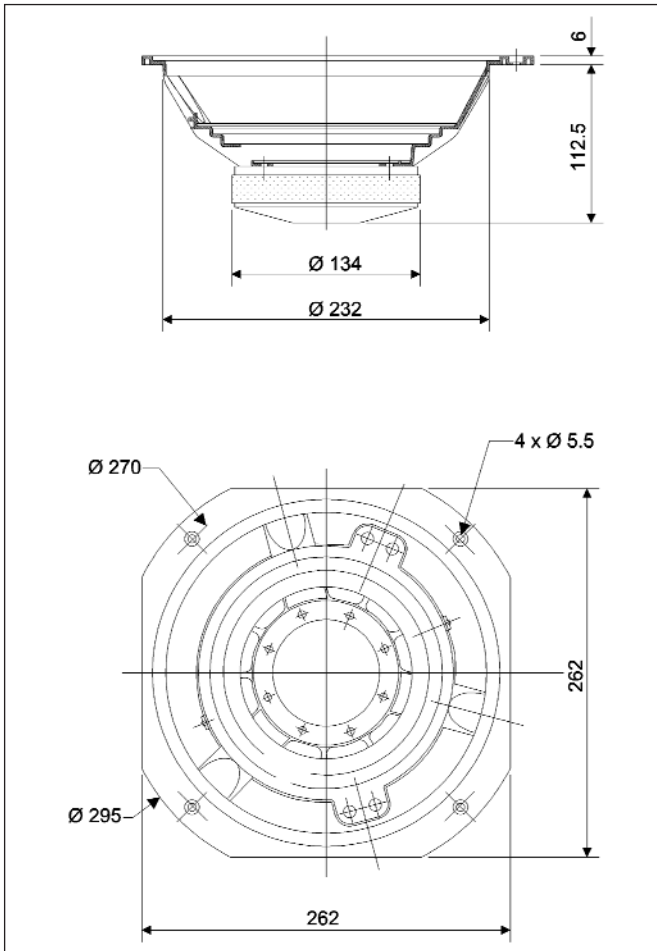


AUDIOPHILE SERIES

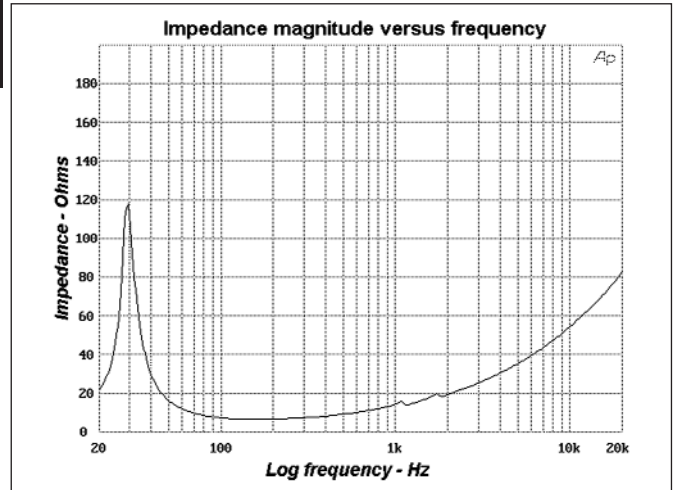
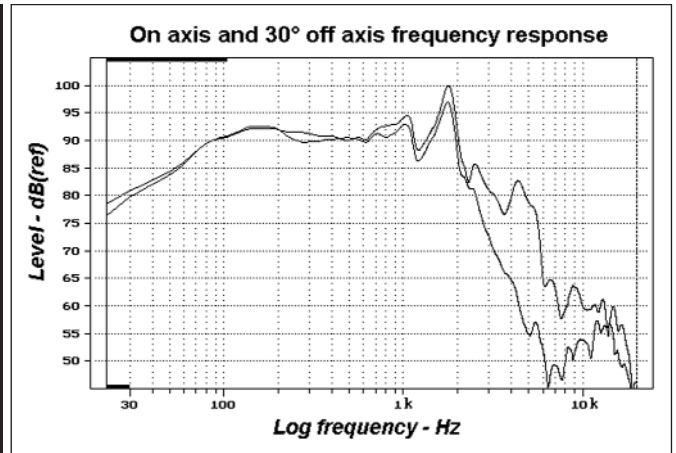
- Thick zamak alloy metal cast frame
- Straight profile PolyKevlar® cone, large rubber surround
- 2 layers edgewound flat copper wire 40 mm voice coil, Kapton™ former
- Efficiency : 92.1 dB
- Outstanding performance in small size 60 l vented systems, high impact



DRAWING



MEASUREMENTS



SPECIFICATIONS

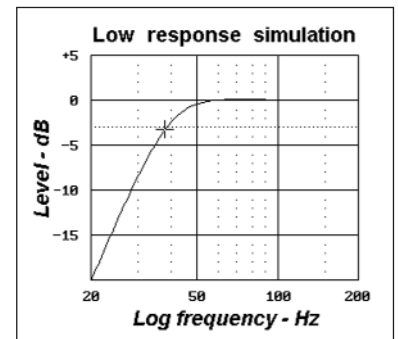
Nominal power handling	150	W
Program power handling	200	W
Sensitivity	92.1	dB (2.8V/1m)
Cone	Polykevlar®	
Surround	Rubber	
Nominal impedance	8	Ω
DC resistance	5	Ω
VC diameter	40	mm
VC height	22	mm
Former	Kapton™	
Layers	2	
Wire	Copper	
Inductance	1.42	mH
Xmax	8	mm
Magnet diameter x height	134 x 20	mm x mm
Magnet weight	1160	g
Flux density	1.25	T
Gap height	6	mm
Net weight	3.7	kg

PARAMETERS

Fs	28.3	Hz
Vas	124.1	l
Qts	0.29	
Qes	0.30	
Qms	9.31	
Re	5.2	Ω
Sd	356.3	cm ²
Cas	883E-9	m ² /N
Mas	35.8	kg/m ⁴
Ras	683.8	Ω .ac
Cms	696E-6	m/N
Mms	45.5	g
Rms	868	g/s
Ces	327.0	μ F
Les	96.7	mH
Res	160.1	Ω
Bl	11.8	N/A
SPL	91.6	dB/W/m

SIMULATION

Ql:	7	Ω
Rg:	0.8	
Qts (+Rg):	0.33	



Vb:	60	l
Fb:	35.5	Hz
F-3:	37.9	Hz