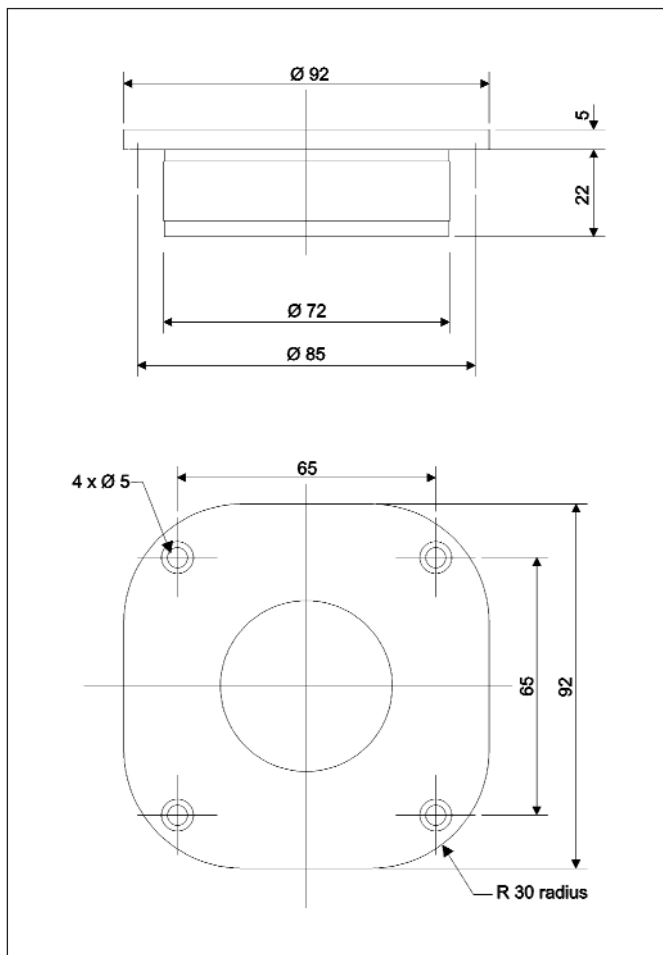


AUDIOPHILE SERIES

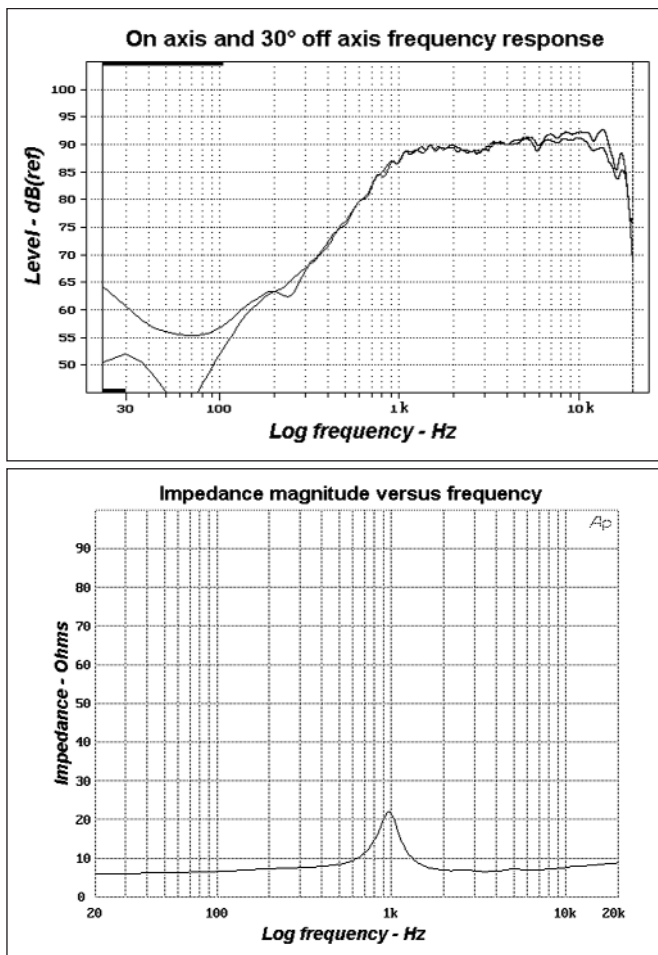
- High pressure injection molded 5 mm thick face plate
- Ultra light Kevlar® fabric dome with coated foam surround
- 20 mm diameter voice coil with aluminium former
- Efficiency : 92 dB
- Recommended crossover : 12 dB/oct minimum



DRAWING



MEASUREMENTS



SPECIFICATIONS

Nominal power handling	12	W
Program power handling	75	W
Sensitivity	92	dB (2.8V/1m)
Cone	Kevlar®	
Surround	Coated Foam	
Nominal impedance	8	Ω
DC resistance	6	Ω
VC diameter	20	mm
VC height	2.2	mm
Former	Aluminium	
Layers	2	
Wire	Copper	
Inductance	0.08	mH
Xmax		mm
Magnet diameter x height	72 x 15	mm x mm
Magnet weight	233	g
Flux density	1.45	T
Gap height	3	mm
Net weight	0.5	kg

PARAMETERS

Fs	950.0	Hz
Vas		l
Qts	0.90	
Qes	1.21	
Qms	3.47	
Re	5.9	Ω
Sd		cm²
Cas		m²/N
Mas		kg/m⁴
Ras		Ω.ac
Cms		m/N
Mms		g
Rms		g/s
Ces		μF
Les		mH
Res	17.0	Ω
Bl		N/A
SPL		dB/W/m

SIMULATION

Ql:		Ω
Rg:		
Qts (+Rg):		
Vb:		l
Fb:		Hz
F-3:		Hz