

A

B

C

D

1

1

2

2


3

3

4

4

BLACKFIN EZ-EXTENDER SCHEMATIC

		ANALOG DEVICES		20 Cotton Road Nashua, NH 03063 PH: 1-800-ANALOGD	
Title					
BLACKFIN EZ-EXTENDER - TITLE					
Size	Board No.			Rev	
C	A0186-2003			1.0	
Date	1-29-2004_15:02			Sheet	1 of 7

A

B

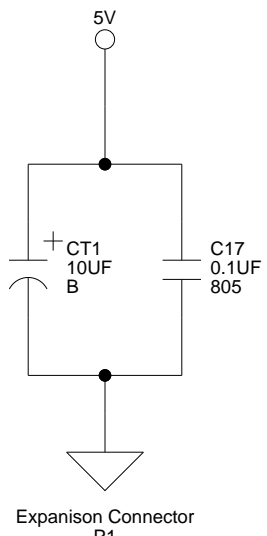
D

A

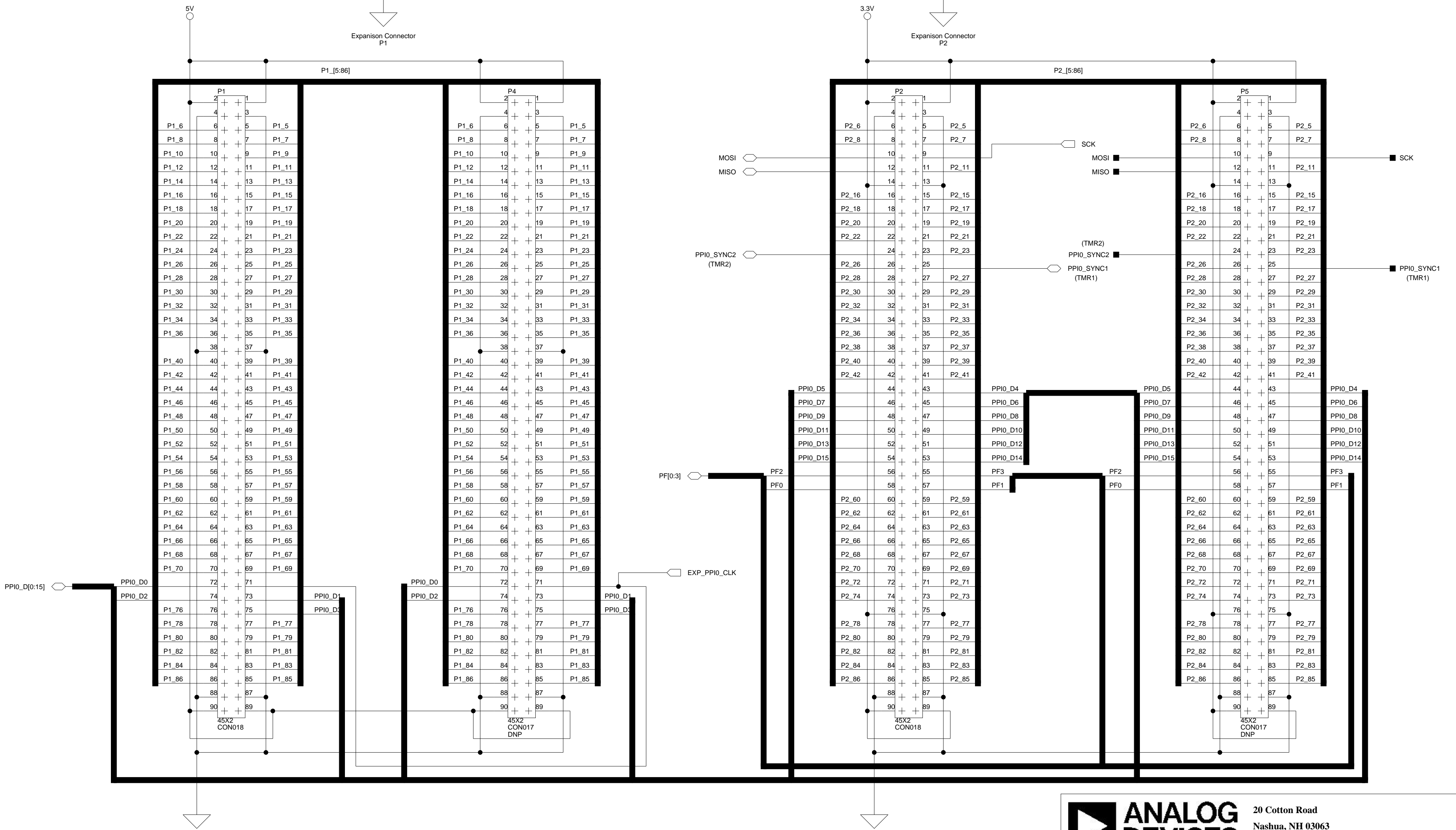
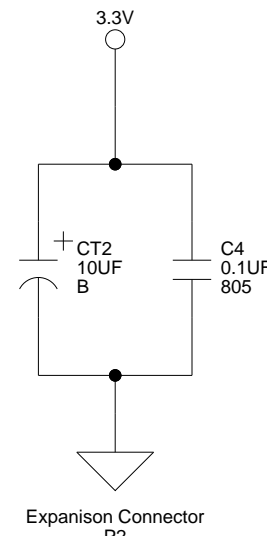
B


C

D



EXPANSION INTERFACE (TYPE B)



		20 Cotton Road Nashua, NH 03063 PH: 1-800-ANALOGD	
Title BLACKFIN EZ-EXTENDER - EXP CONN 1,2			
Size C	Board No. A0186-2003	Rev 1.0	
Date 1-27-2004_12:15	Sheet 2 of 7		

A

B

D

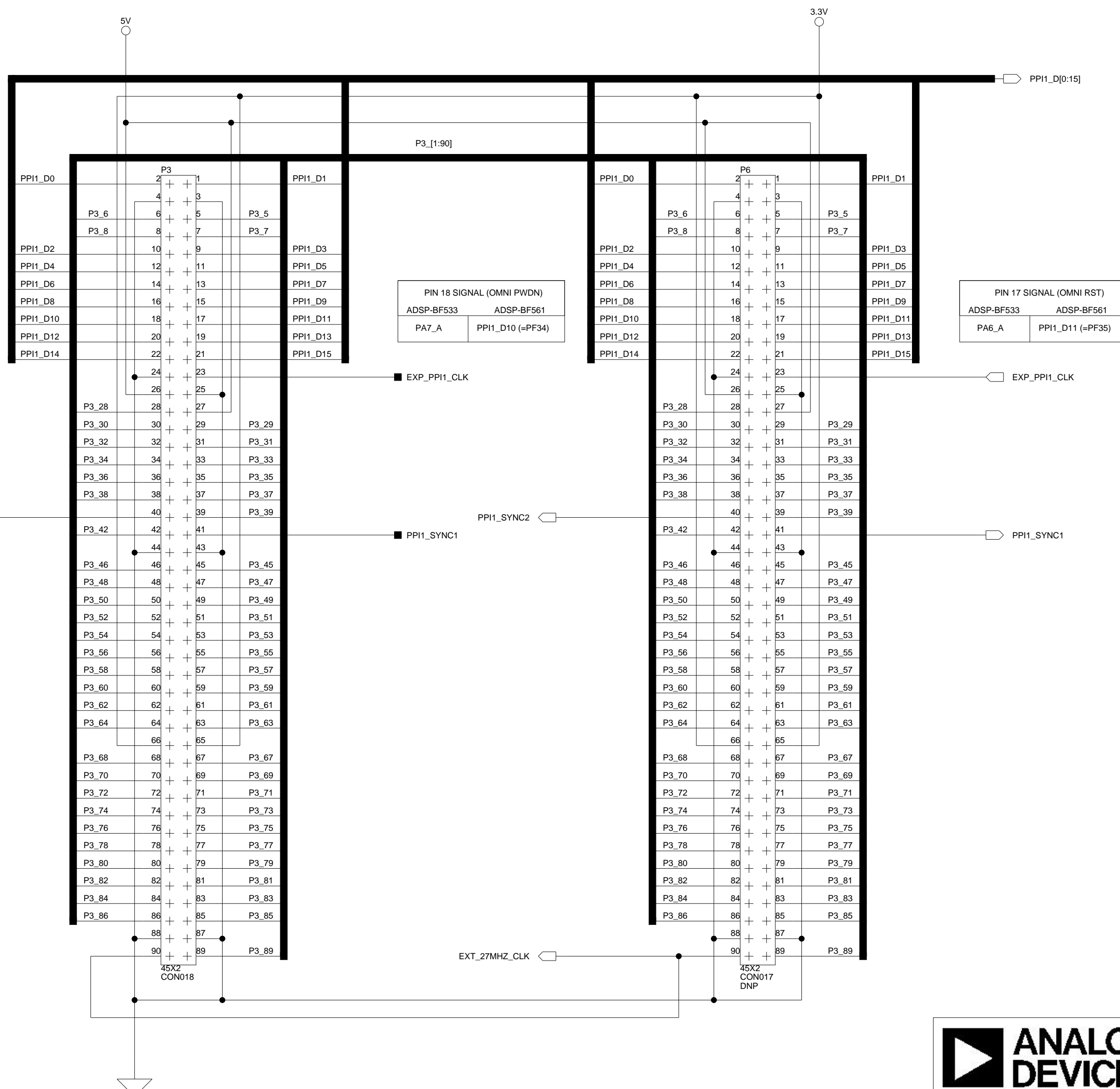
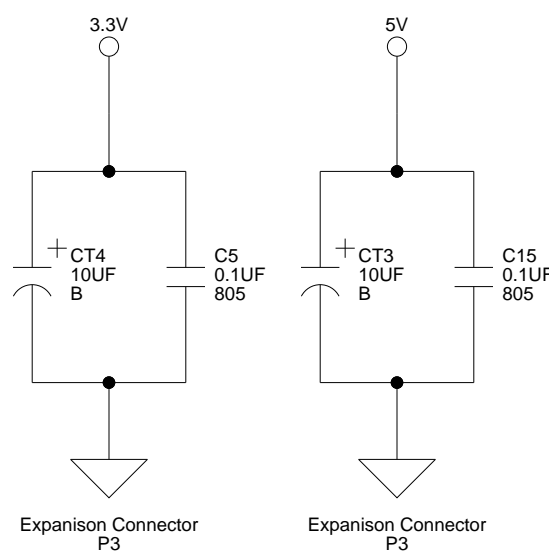
A

B

C

D

EXPANSION INTERFACE (TYPE B)



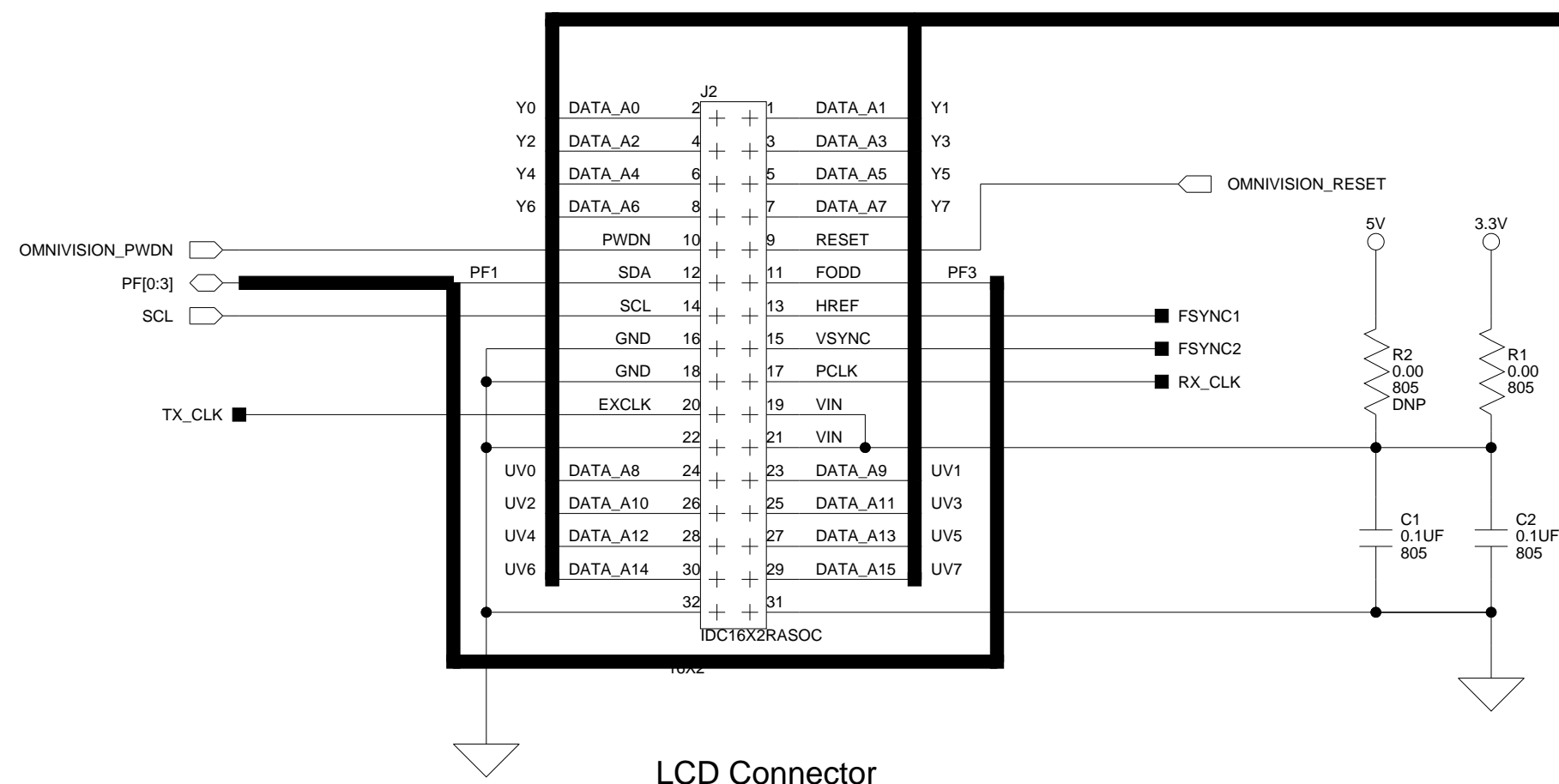
		20 Cotton Road Nashua, NH 03063 PH: 1-800-ANALOGD	
		Title BLACKFIN EZ-EXTENDER - EXP CONN 3	
Size C	Board No. A0186-2003	Rev 1.0	
Date 1-27-2004_12:15	Sheet 3 of 7		

A

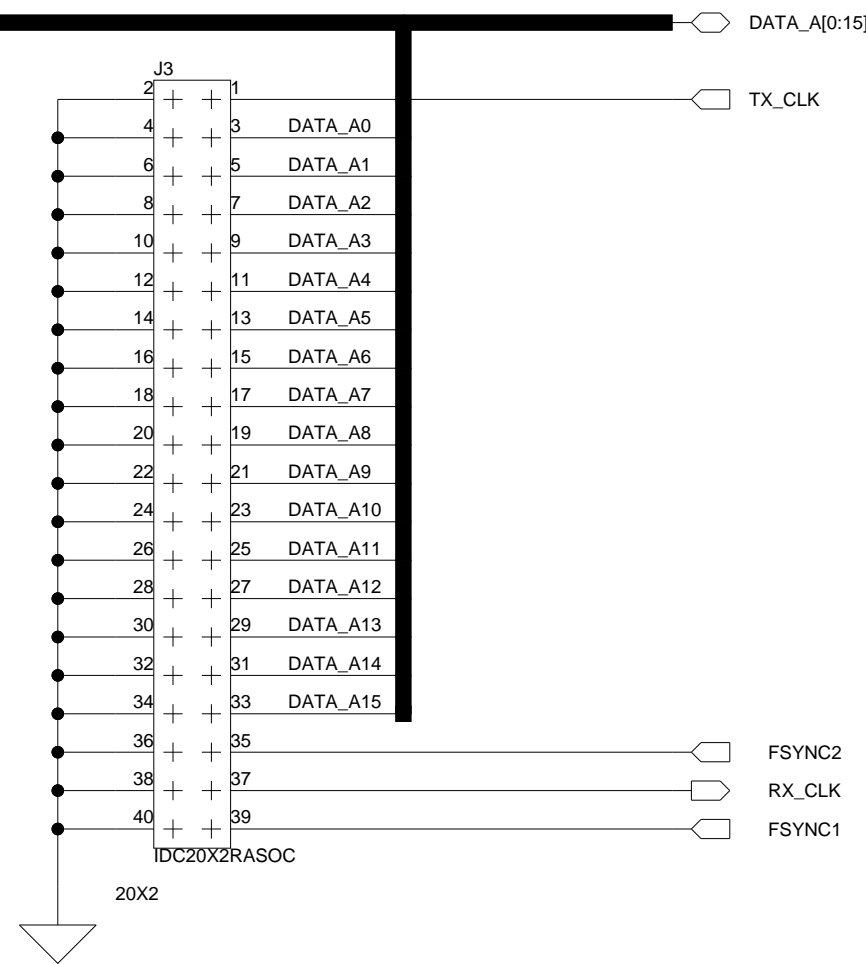
B

D

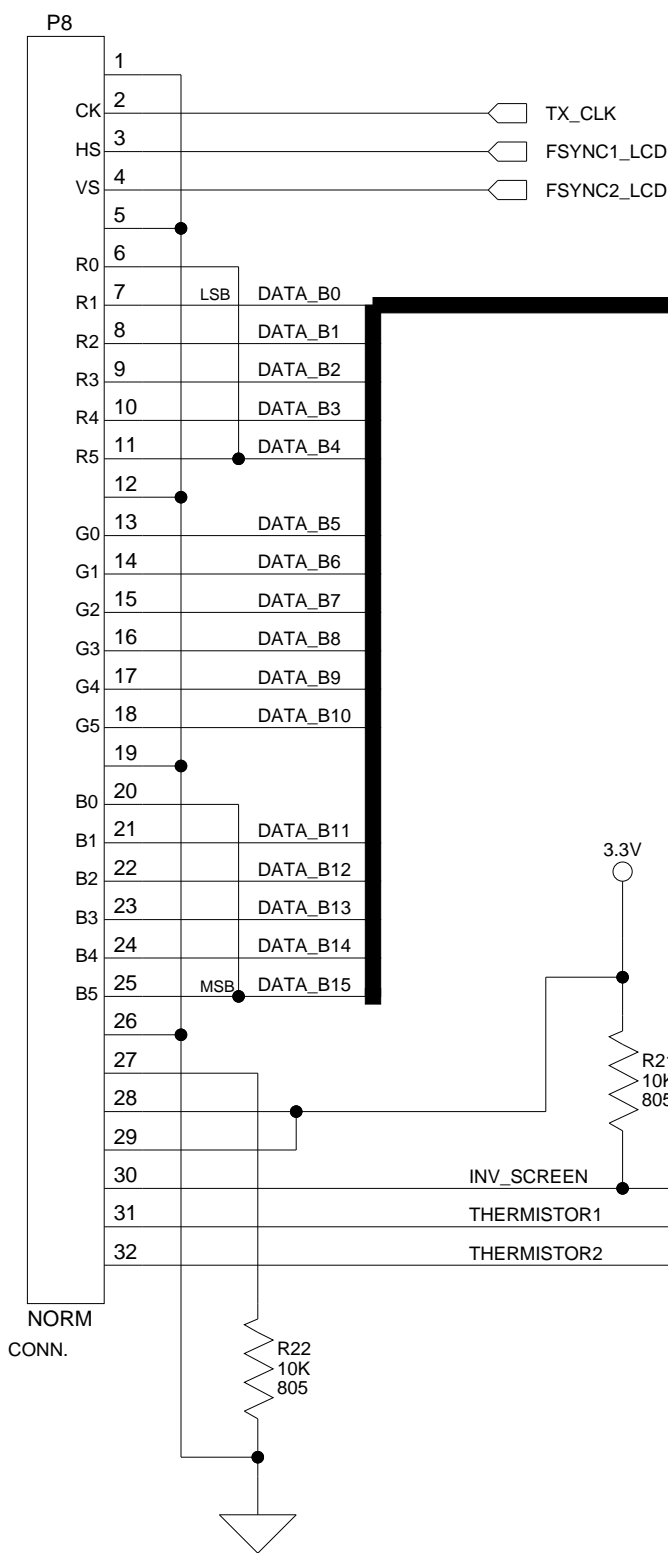
Camera Interface



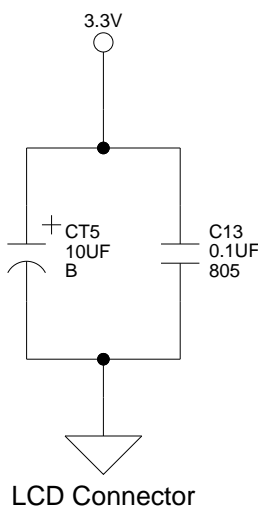
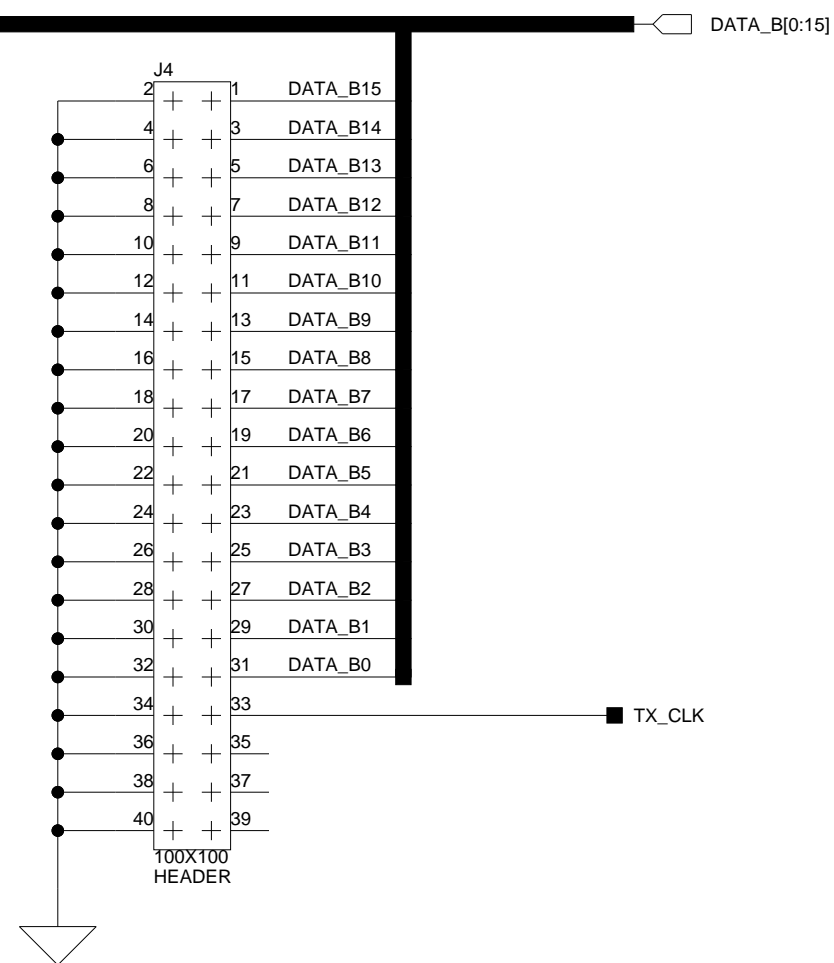
ADC/Mixed Signal HSC Interface



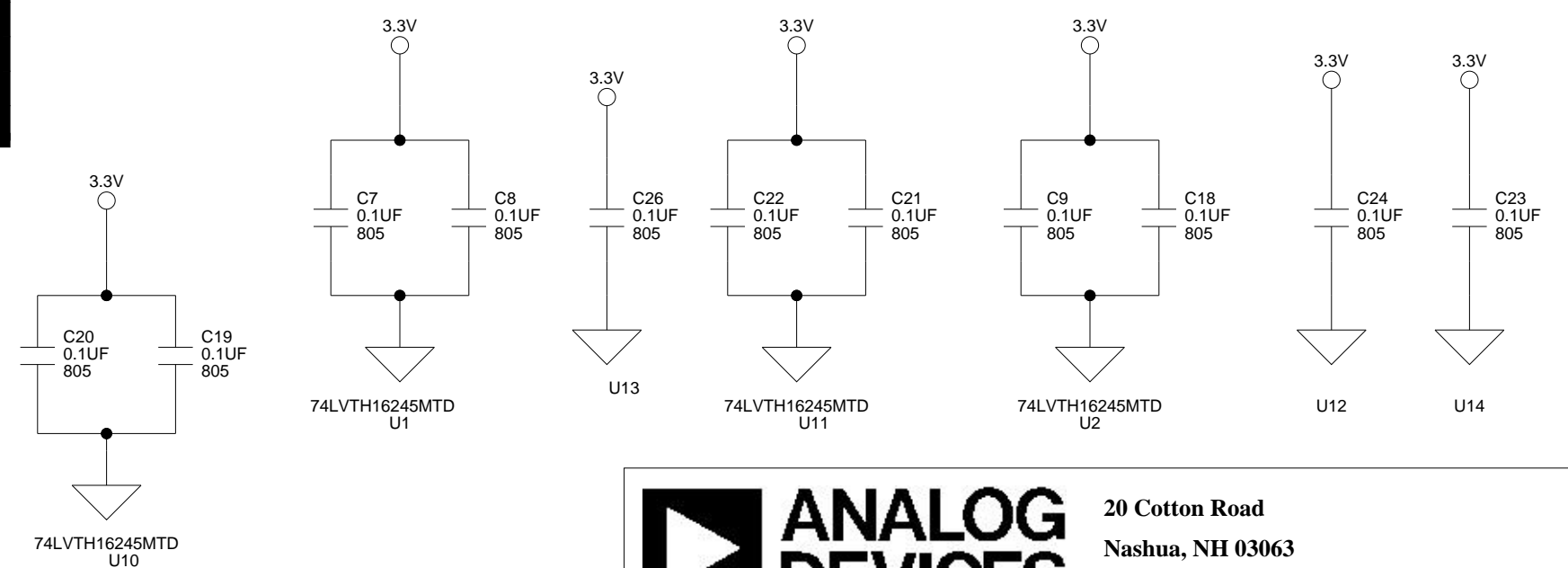
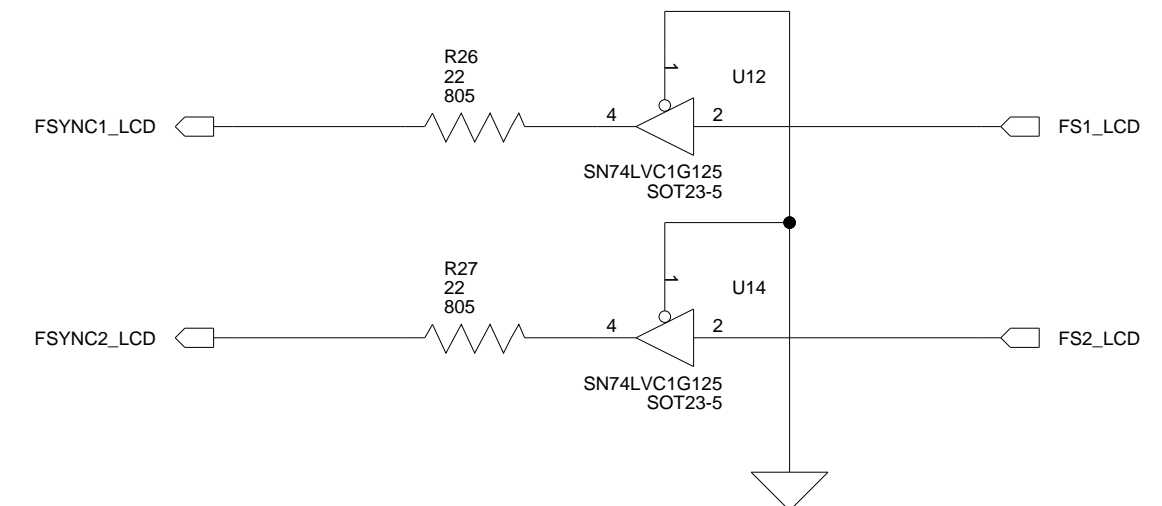
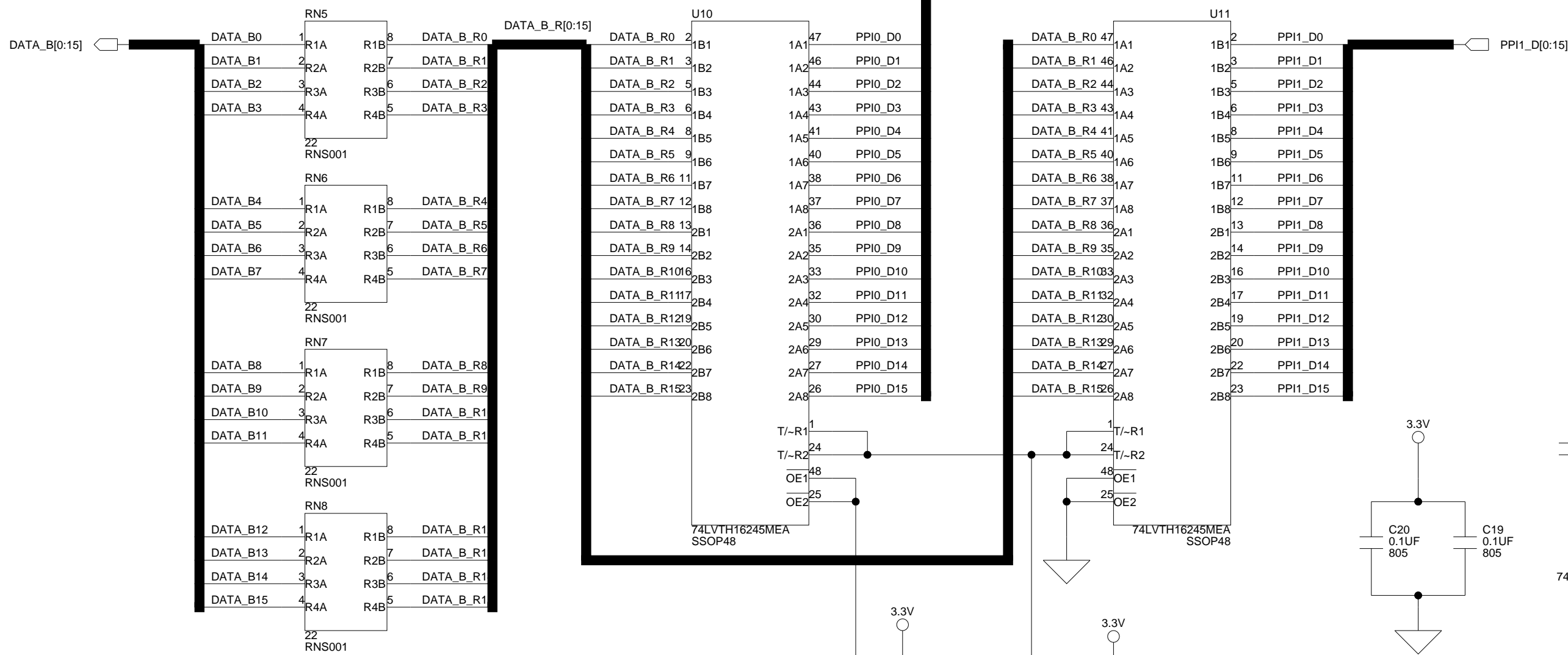
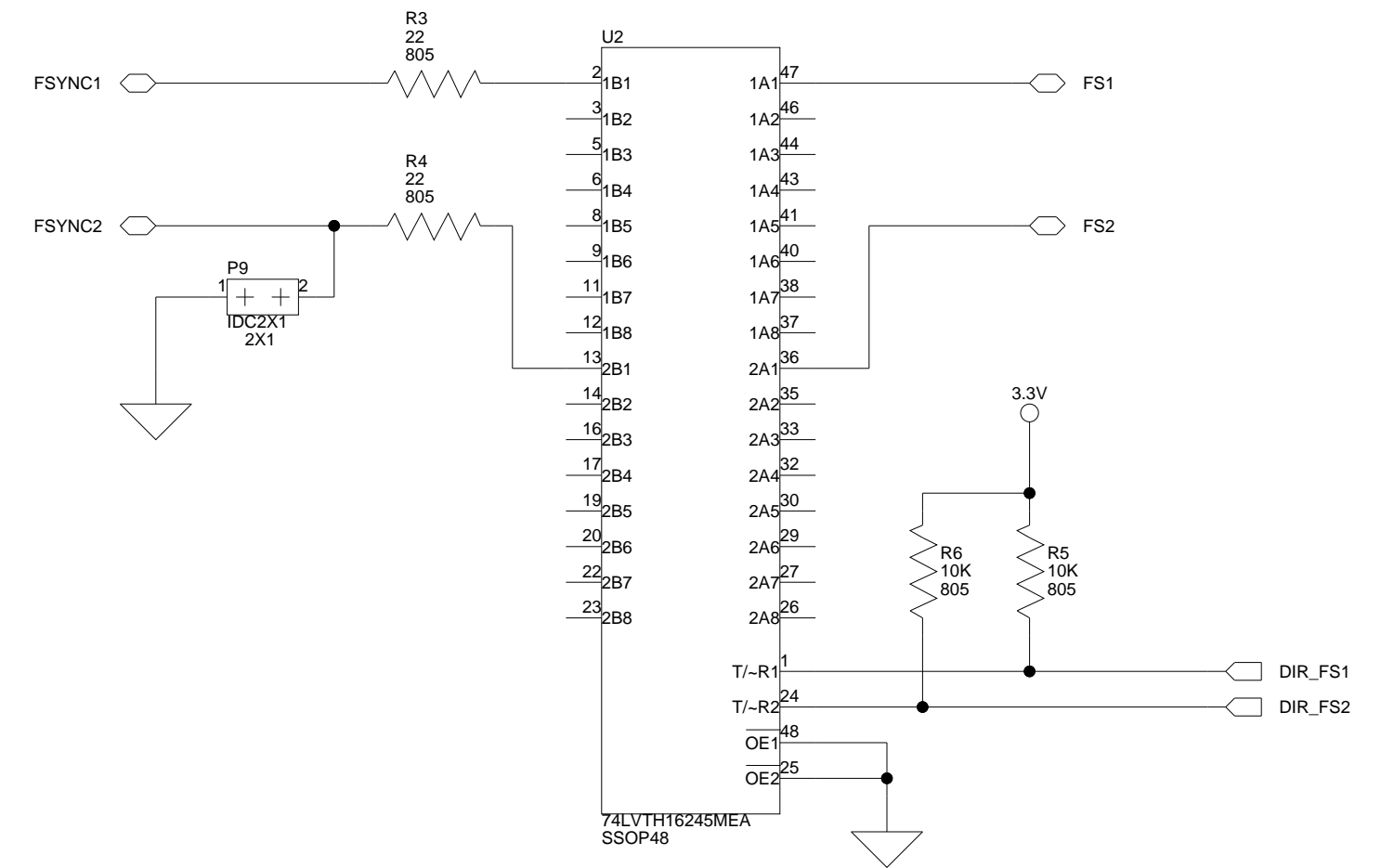
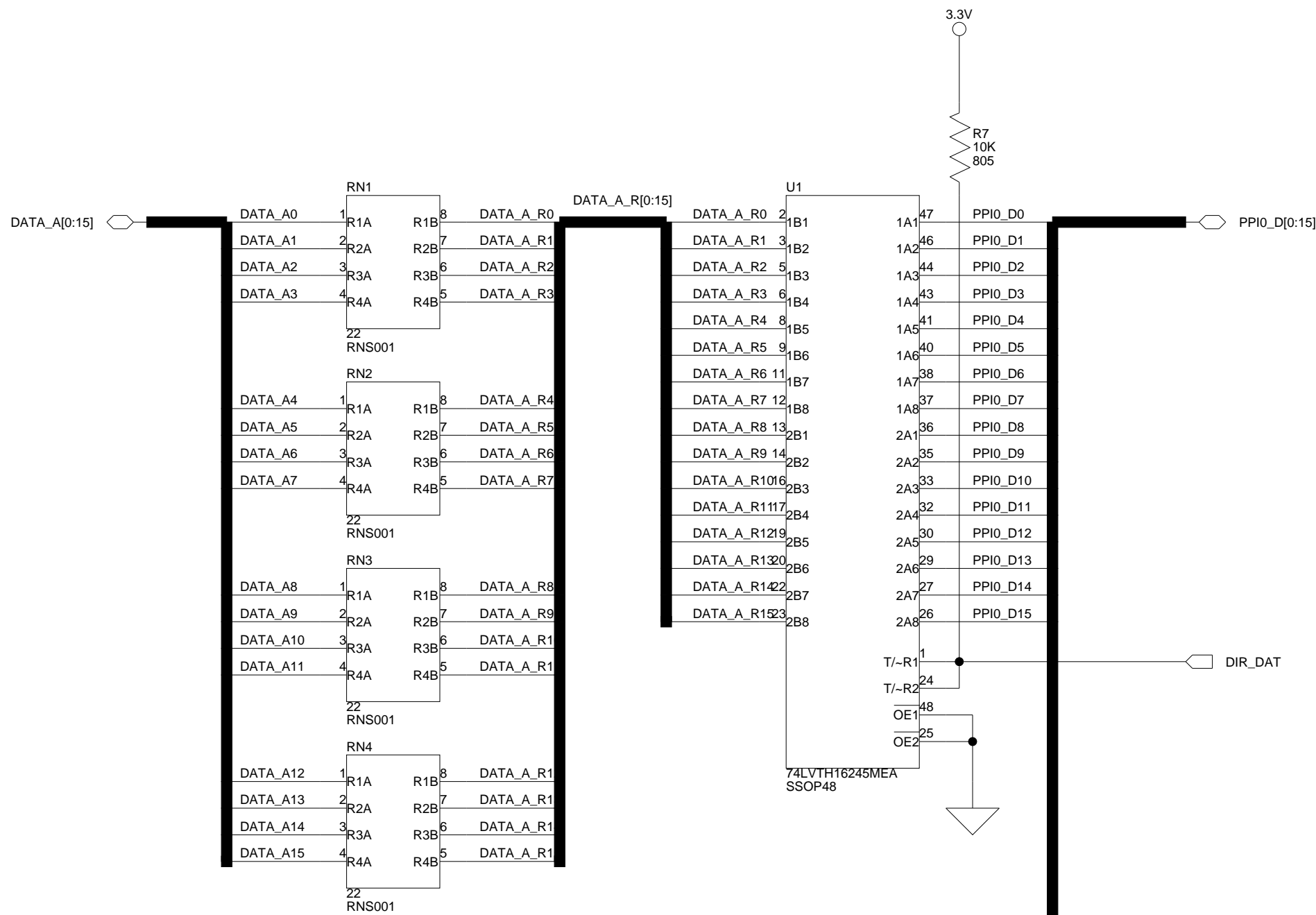
LCD Connector



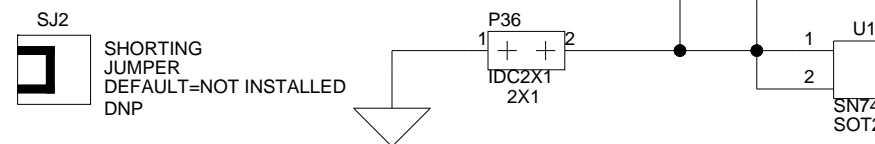
DAC HSC Interface



		20 Cotton Road Nashua, NH 03063 PH: 1-800-ANALOGD	
Title BLACKFIN EZ-EXTENDER - HSC/OMNIVISON/LCD			
Size C	Board No. A0186-2003	Rev 1.0	
Date 1-29-2004_11:31	Sheet 4 of 7		



JUMPER PLUG IN FOR LOOPBACK TEST/BF533

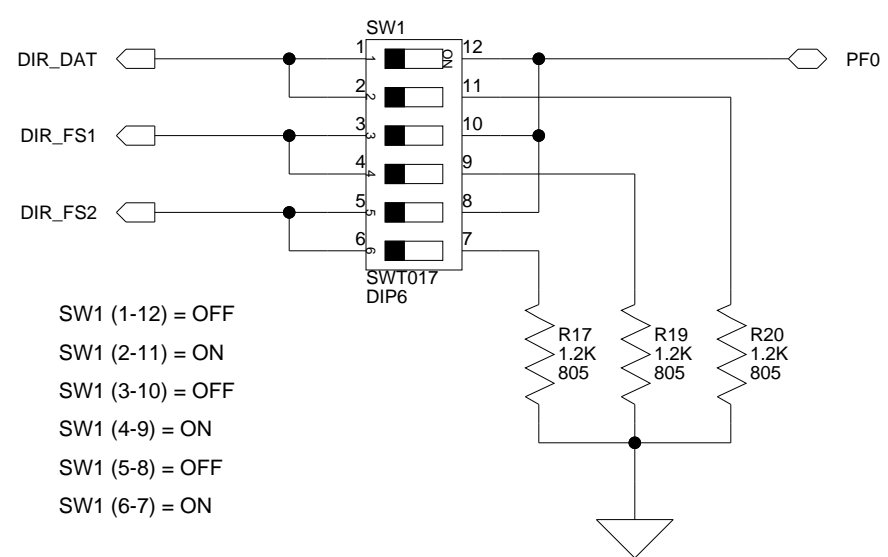


ANALOG DEVICES 20 Cotton Road
Nashua, NH 03063
PH: 1-800-ANALOGD

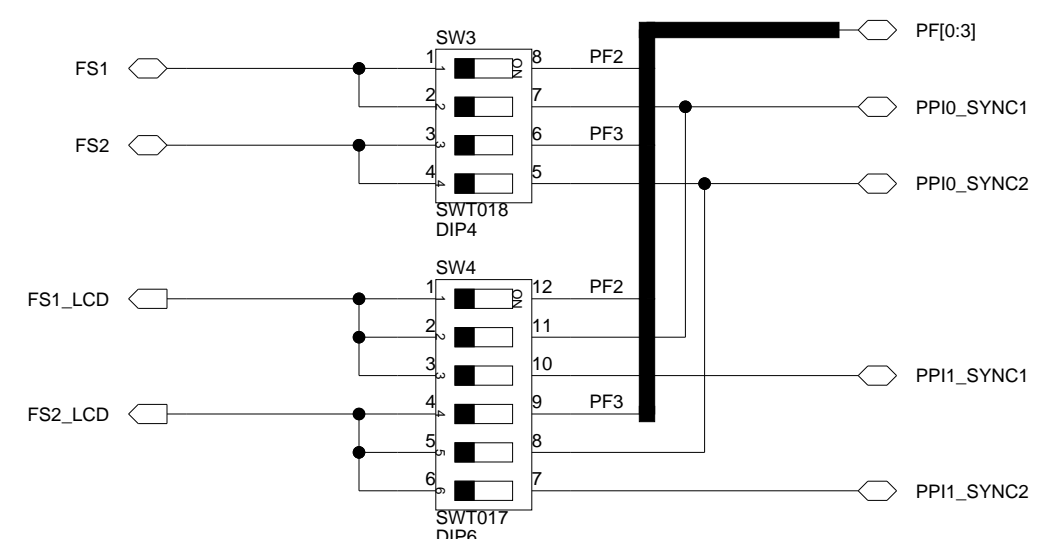
Title
BLACKFIN EZ-EXTENDER - DATA/FSYNC BUFFERS

Size C	Board No. A0186-2003	Rev 1.0
Date 1-27-2004_12:15	Sheet 5 of 7	

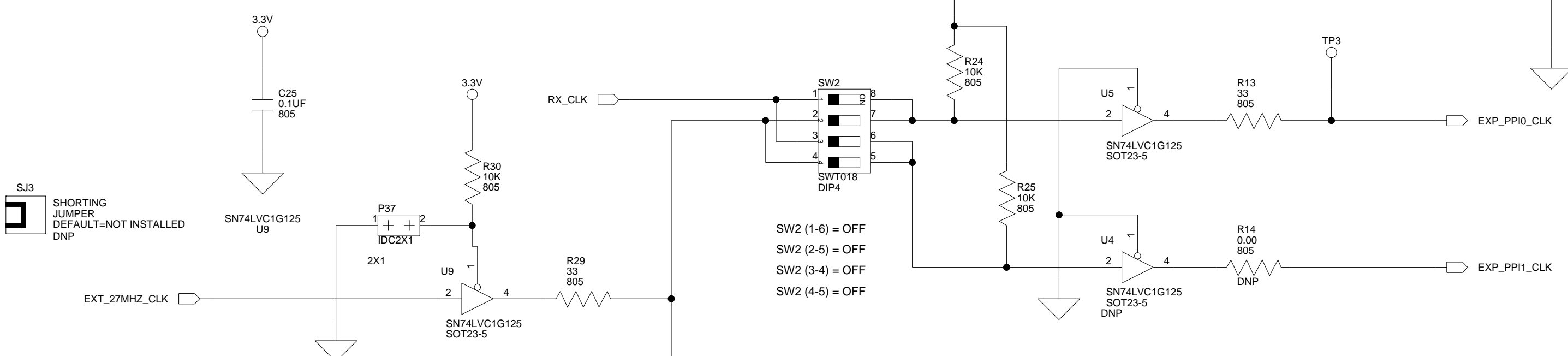
Direction Control



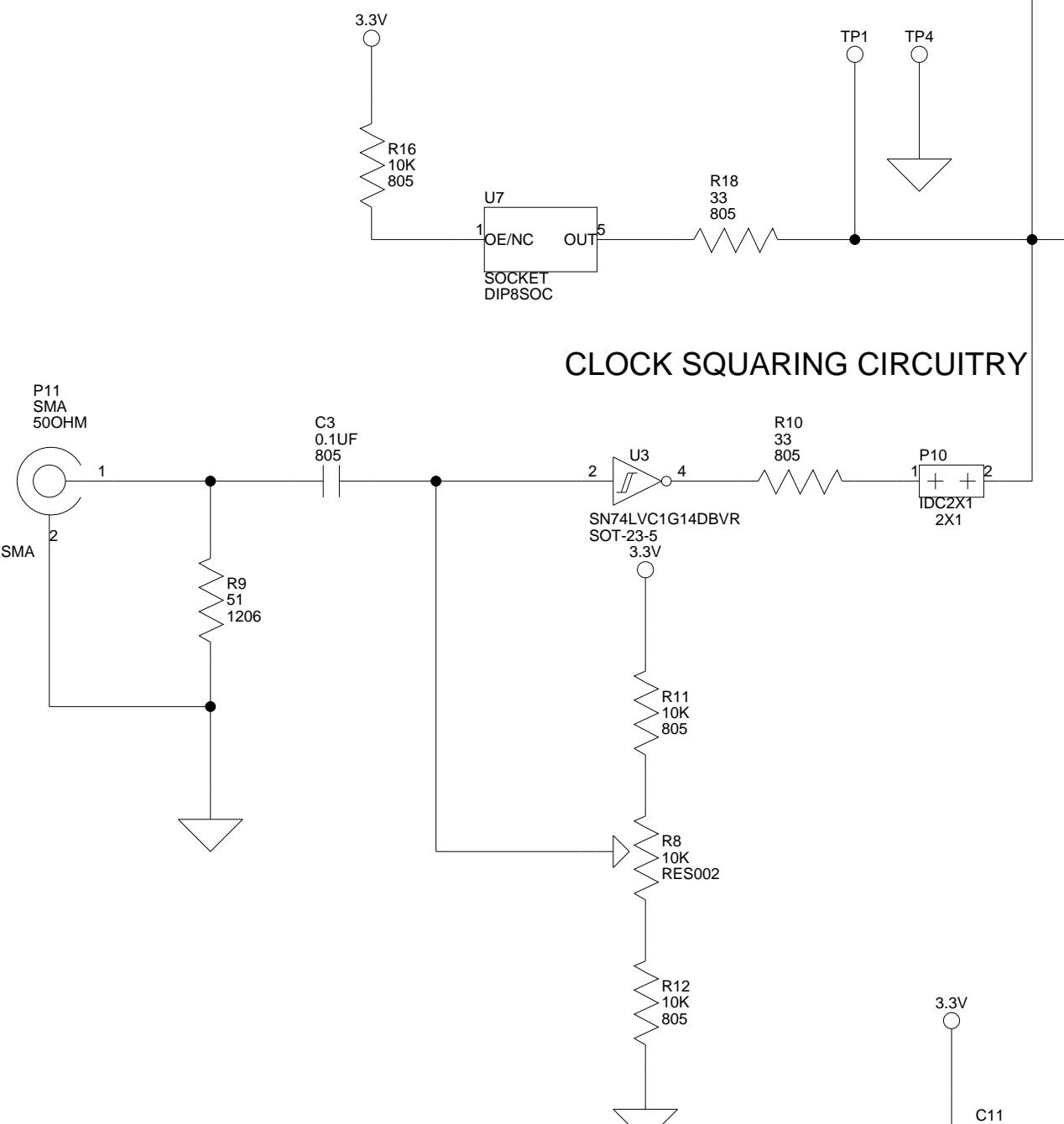
SW3 (1-6) = OFF
 SW3 (2-5) = OFF
 SW3 (3-4) = OFF
 SW3 (4-5) = OFF



SW4 (1-12) = OFF
 SW4 (2-11) = OFF
 SW4 (3-10) = OFF
 SW4 (4-9) = OFF
 SW4 (5-8) = OFF
 SW4 (6-7) = OFF

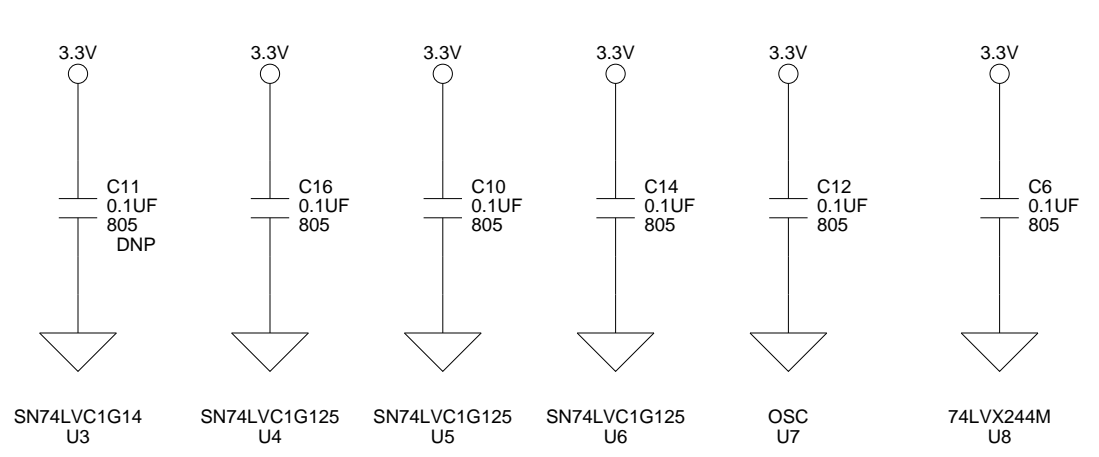
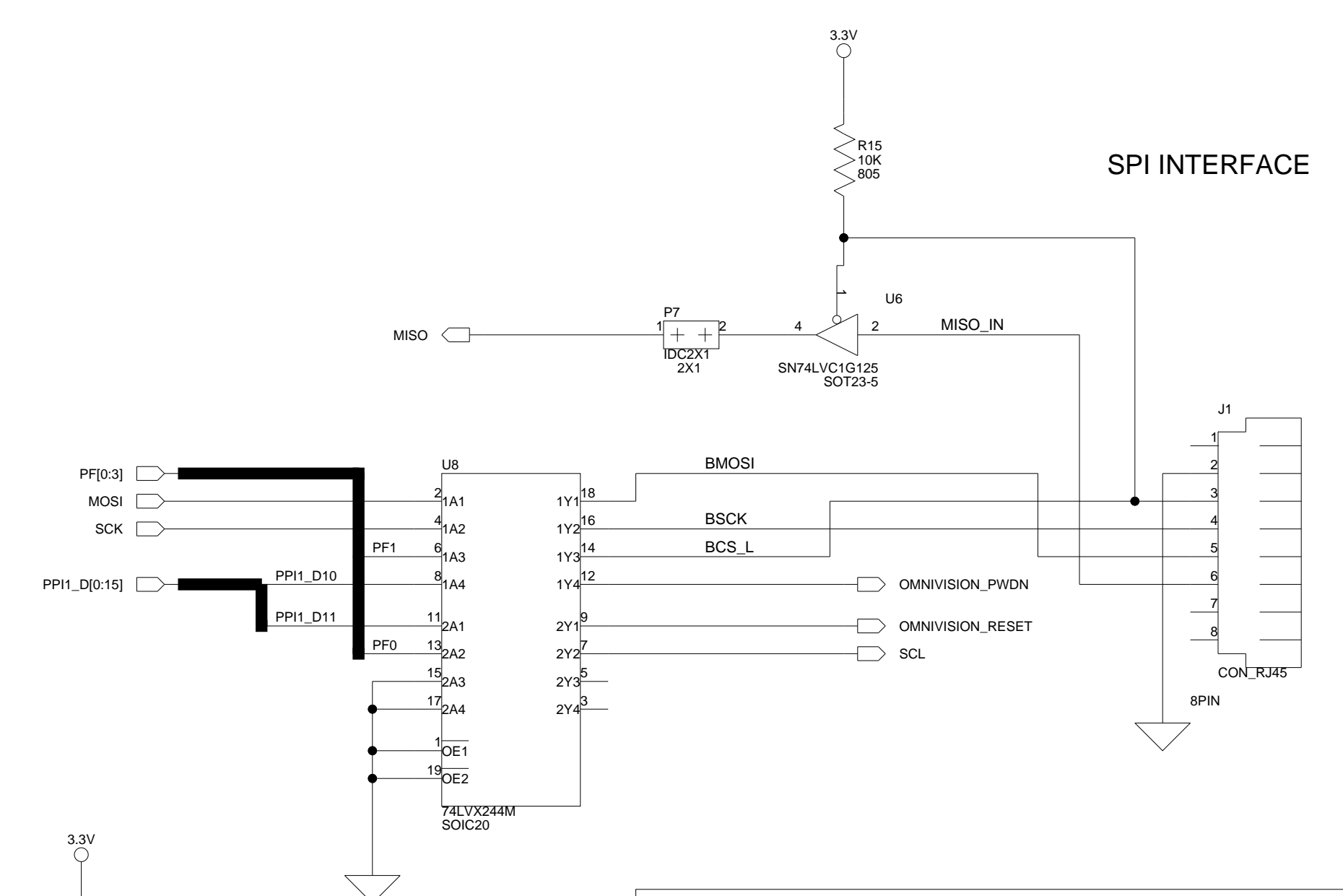


CLOCK SQUARING CIRCUITRY

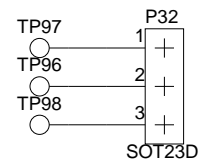
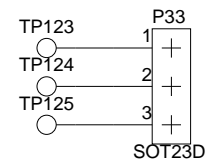
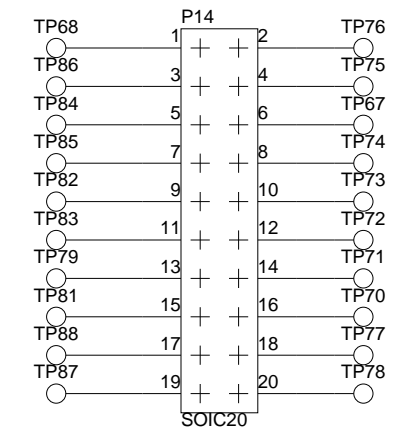
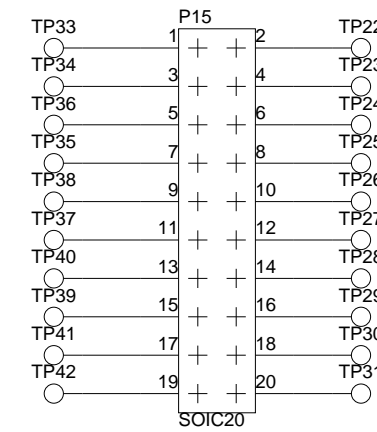
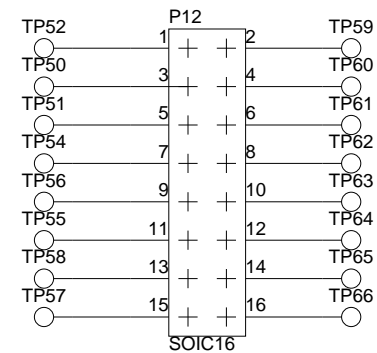
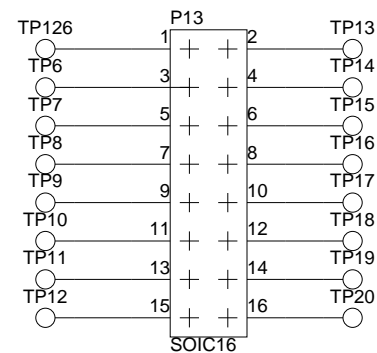
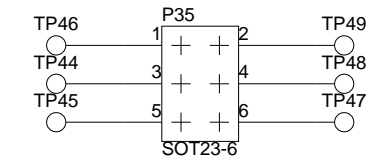
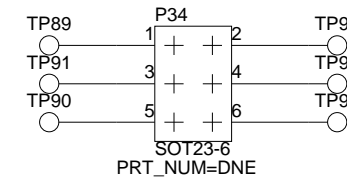
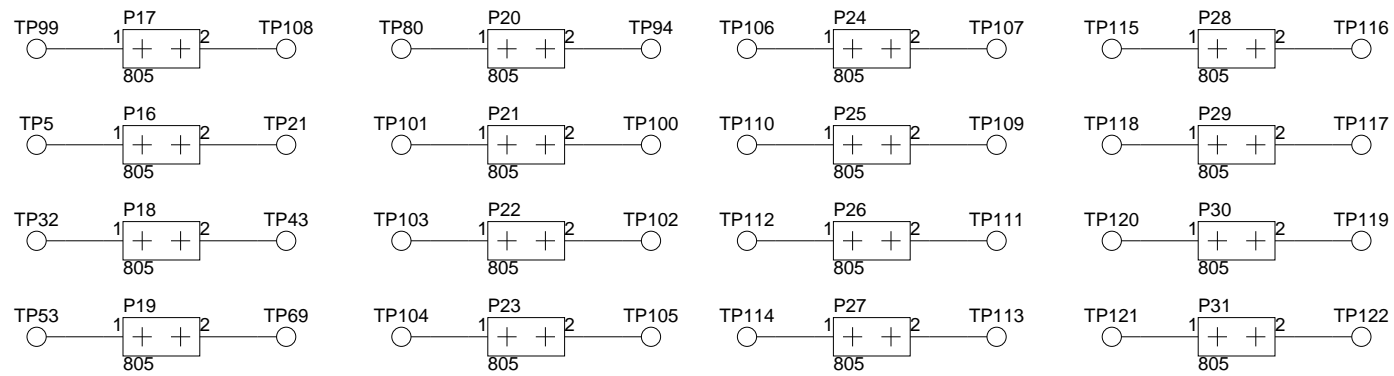



SJ1 SHORTING JUMPER DEFAULT=NOT INSTALLED DNP

SPI INTERFACE



		20 Cotton Road Nashua, NH 03063 PH: 1-800-ANALOGD	
Title: BLACKFIN EZ-EXTENDER - CONFIG/SPI			
Size C	Board No.	A0186-2003	Rev 1.0
Date	1-27-2004_12:15	Sheet 6 of 7	



		20 Cotton Road Nashua, NH 03063 PH: 1-800-ANALOGD	
Title BLACKFIN EZ-EXTENDER - SPARE			
Size C	Board No. A0186-2003	Rev 1.0	
Date 1-27-2004_12:15	Sheet 7 of 7		Rev 1.0

I INDEX

A

ADC (analog-to-digital converter)
 connecting, [1-1](#)
 interface, [1-1](#)
ADC/mixed-signal HSC interface, [2-3](#)
architecture, EZ-Extender, [2-1](#)

B

bidirectional driver, [2-1](#)
bill of materials, [A-1](#)
block diagram, EZ-Extender, [2-1](#)
breadboard capabilities, [viii](#)

C

camera
 evaluation boards, [viii](#)
 interface, [2-3](#)
 see also OmniVision
clock
 disconnect jumper (P10), [2-9](#)
 input signals, [2-5](#)
 routing switch (SW2), [2-5](#)
 signals, [2-1](#), [2-3](#)
compatible boards, [1-2](#)
conventions, manual, [xvii](#)
customer support, [x](#)

D

DAC (digital-to-analog converter)
 connecting, [1-2](#)
 interface, [1-2](#)
data
 converters, [1-2](#)
 directing, [1-2](#), [1-4](#), [1-5](#)
 direction control switch (SW1), [2-4](#)
 driver, [1-2](#)
 signals, [1-2](#), [2-1](#)
 transfer, [1-1](#)
DATA_A bus, [2-3](#), [2-4](#)
DATA_B bus, [2-3](#)
dimensions, [ix](#)
DIP switches, [2-4](#), [2-5](#), [2-7](#), [2-8](#)
direction control switch (SW1), [2-4](#)

E

expansion interface, EZ-KIT Lite, [vii](#)
external clock disable jumper (P37), [2-10](#)
EZ-Extender
 architecture, [2-1](#)
 features, [viii](#)

F

features, EZ-Extender, [viii](#)
FLZ-type connector, [1-4](#)
frame sync signals, [1-4](#), [1-5](#), [2-1](#)
FSYNC1 frame sync signal, [2-3](#), [2-4](#), [2-7](#)
FSYNC1_LCD frame sync signal, [2-3](#), [2-8](#)

INDEX

FSYNC2 frame sync signal, [2-3](#), [2-4](#), [2-7](#)
FSYNC2_LCD frame sync signal, [2-3](#), [2-8](#)

G

general frame sync routing switch (SW3), [2-7](#)

H

Help, online, [xv](#)
HSC (high-speed converter), [viii](#), [1-1](#), [1-2](#)

I

interfaces, [1-1](#)
 ADC and mixed-signal HSC, [1-1](#)
 camera, [1-3](#)
 DAC HSC, [1-2](#)
 LCD display, [1-4](#)
IO signals, [2-1](#)

J

jumpers, [2-4](#), [2-9](#), [2-10](#)

L

LCD
 backlight inverter, [1-4](#)
 display device, [1-4](#)
 frame sync routing switch (SW4), [2-8](#)
 interface, [1-4](#), [2-3](#)

M

MISO
 disconnect jumper (P7), [2-9](#)
 processor signal, [2-9](#)
mixed-signal HSC
 boards, [1-1](#)
 interface, [1-1](#)

N

notation conventions, [xviii](#)

O

OmniVision OV6630AA camera, [2-9](#)
 see also camera
oscillator, [2-3](#), [2-6](#)
 socket (U10), [2-6](#)

P

P10 (SMA connector clock disconnect) jumper, [2-9](#)
P36 (PPI data routing) jumper, [2-9](#)
P37 (ext clock disable) jumper, [2-10](#)
P7 (MISO disconnect) jumper, [2-9](#)
PF0 processor programmable flag, [2-4](#)
PF2 programmable flag, [2-7](#), [2-8](#)
PF3 programmable flag, [2-7](#), [2-8](#)
PPI, [1-1](#)
 clocks, [1-1](#), [1-3](#), [1-4](#), [1-5](#)
 clock sources, [2-6](#)
 data signals, [2-9](#)
 interface, [viii](#)
PPI0 bus, [2-3](#)
PPI0_CLK clock input signal, [2-5](#)
PPI0_SYNC1 signal, [2-7](#), [2-8](#)
PPI0_SYNC2 signal, [2-7](#), [2-8](#)
PPI1 bus, [2-3](#)
PPI1_CLK clock input signal, [2-5](#)
PPI1_SYNC1 signal, [2-8](#)
PPI1_SYNC2 signal, [2-8](#)
PPI_CLK signal, [2-3](#)
programmable flags, [1-2](#)

R

receivers, [1-2](#), [2-4](#)
RJ45 connector, [1-1](#)
RX_CLK clock signal, [2-3](#)

S

SMA connector (P11), [2-3](#), [2-6](#), [2-9](#)
SO signal, [2-9](#)
SPI
 connector (J1), [2-9](#)
 signals, [1-1](#)
surface mounted (SMT) footprints, [viii](#)
SW1 (direction control) switch, [2-4](#)
SW2 (clock routing) switch, [2-5](#)
SW3 (gen frame sync routing) switch, [2-7](#)
SW4 (LCD frame sync routing) switch, [2-8](#)

T

transmit
 clock, [2-10](#)
 mode, [2-1](#)
transmitters, [2-4](#)
TX_CLK clock signal, [2-3](#), [2-10](#)

V

VisualDSP++
 documentation, [xvi](#)
 online Help, [xv](#)

